

Company Profile | 2024-25



“Organize your cables & Elevate your space to unleash your space’s potential.”

ISO 9001 : 2015

INDISH ELECTRO POWER PVT LTD

Plot No 61 & 62,
Kesar Sopan Industrial Estate,
Vi - Moraiya, Ta- Sanand ,
Changodar, Ahmedabad- 382210



Cable Tray & Accessories

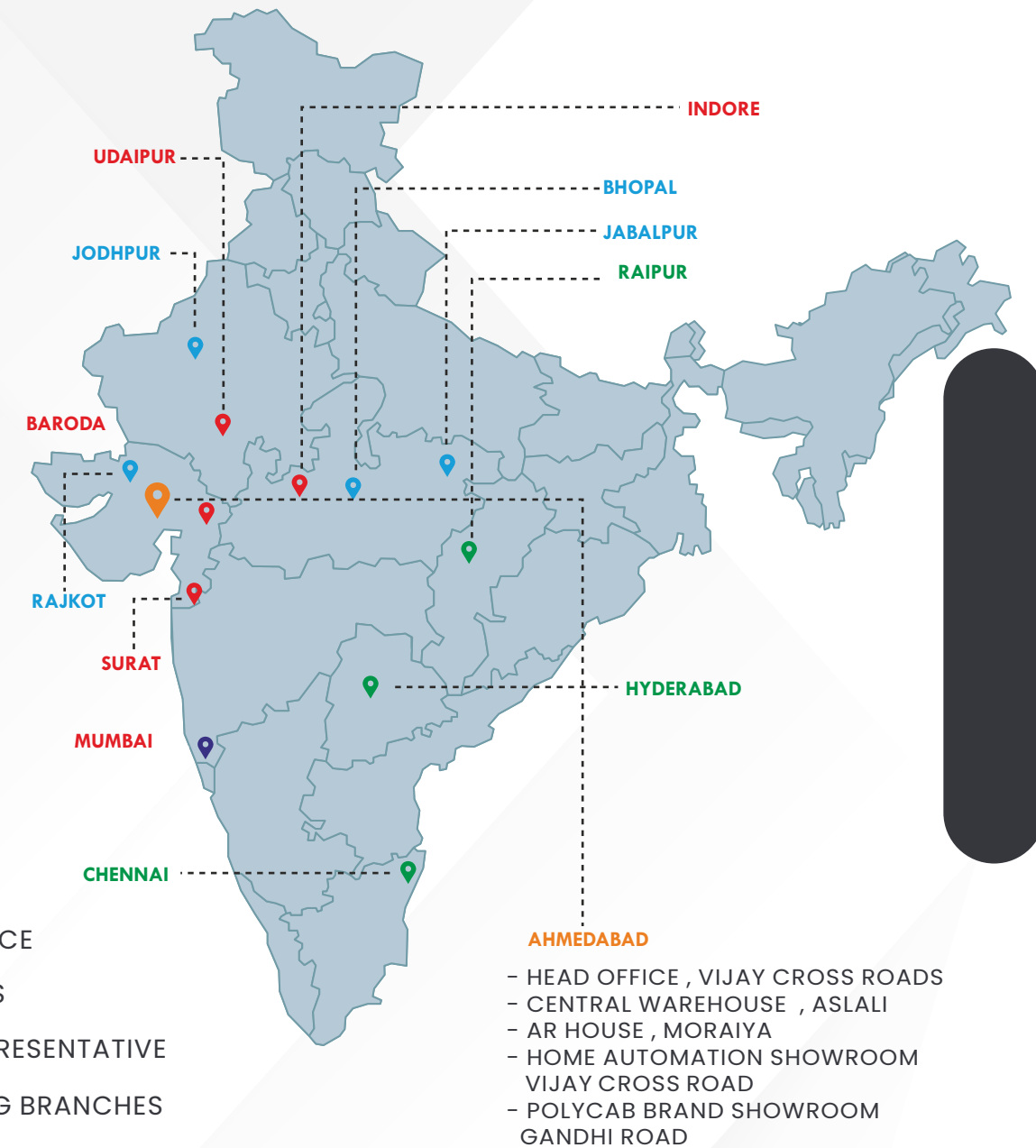
“Cable trays that power your progress with seamless connectivity”

ABOUT US

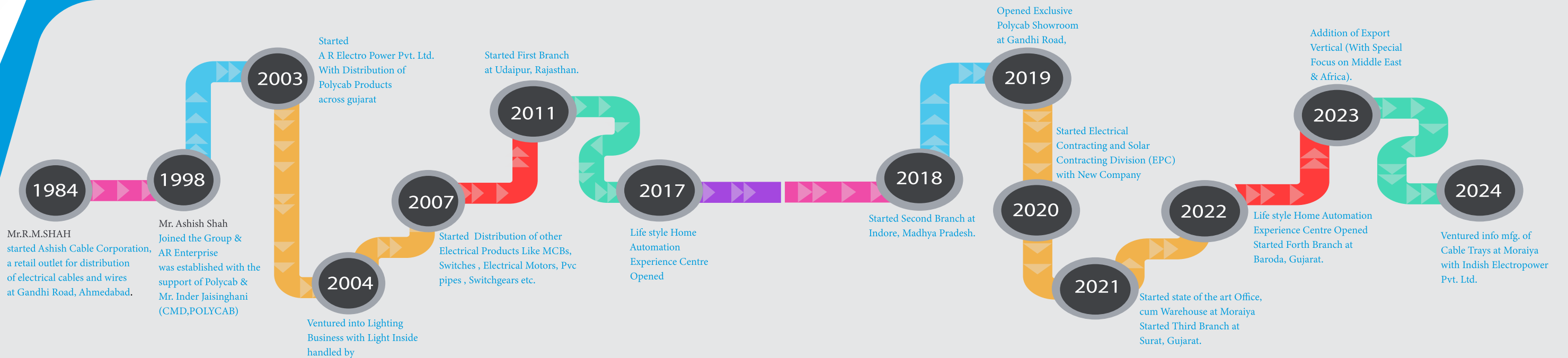
Over the years, **GROUP AR** has achieved new milestones. Today, we are the leading distributor of electrical products in Western India, representing renowned brands such as Polycab, Lauritz Knudsen, Havells, and Dowells, among others.

Group AR is a comprehensive entity that caters to the diverse electrical product needs of its esteemed clients across a wide range of sectors, including infrastructure, industrial plants, renewable energy, and more. Leveraging their extensive expertise and industry knowledge, the Group has established themselves as a trusted partner for organizations seeking top-quality electrical solutions tailored to their specific requirements. By maintaining strong relationships with leading manufacturers and suppliers, the Group is able to leverage its extensive network to provide clients with access to the cutting-edge technologies and products that drive efficiency, reliability, and cost-effectiveness across their operations. This holistic, solutions-oriented approach has solidified Group AR's reputation as a trusted partner capable of addressing the full spectrum of electrical product requirements for its diverse customer base.

We are pleased to introduce our new venture, **"Indish"**, which specializes in the manufacturing of various cable trays, including perforated, ladder, and raceway models, as well as their accessories. We proudly supply these products across India and globally.



Growth Journey



Project Solution & Support

- We pride ourselves on delivering a comprehensive suite of value-added services to support our clients' most important projects.
- Our expert teams leverage their deep technical expertise and extensive commercial acumen to develop tailored, end-to-end solutions that address the unique challenges and requirements of each individual project.
- Our project solutions approach begins with a thorough assessment to fully understand the scope, objectives, and constraints of your initiative.
- This team works in close collaboration with your internal stakeholders to map out a detailed, strategic roadmap, identifying potential pitfalls and optimizing for efficiency, cost-effectiveness, and timely delivery.

MANUFACTURE STANDARDS

- IS
- NEMA VE 1
- IEC 61537

RAW MATERIAL STANDARDS

- IS 1079
- IS 277
- IS 2062
- ASTM A3
- EN S275

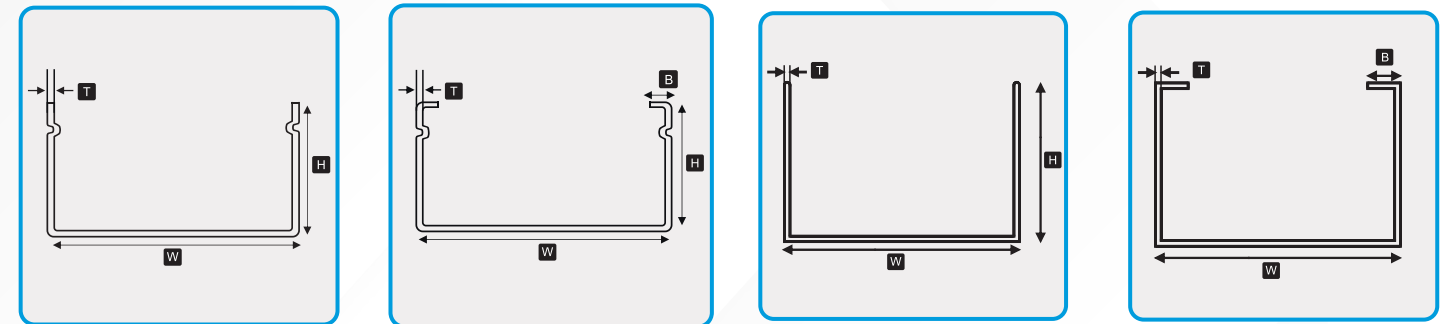
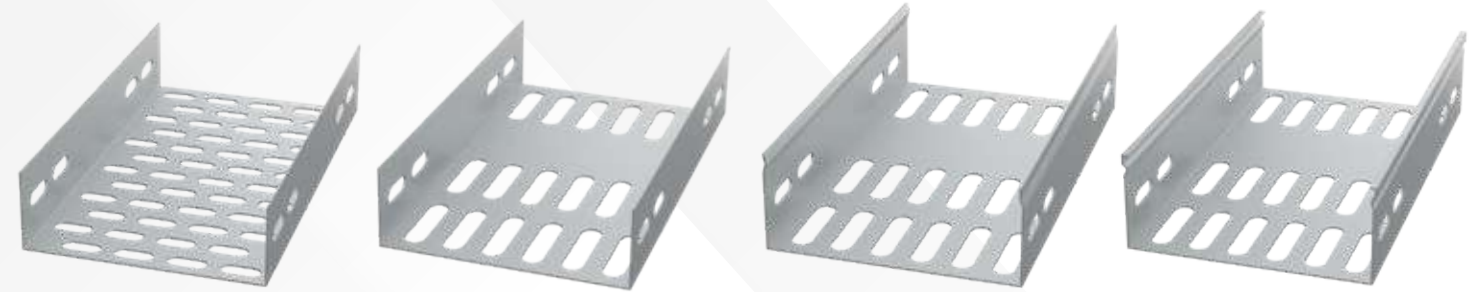
HOT DIP GALVANIZING STANDARD

- IS 2629
- ISO 1461

Powder Coating standards

- IS 1371
- IS 1993

Perforated Cable Tray



T = Thickness **B** = Bend **H** = Height **W** = Width

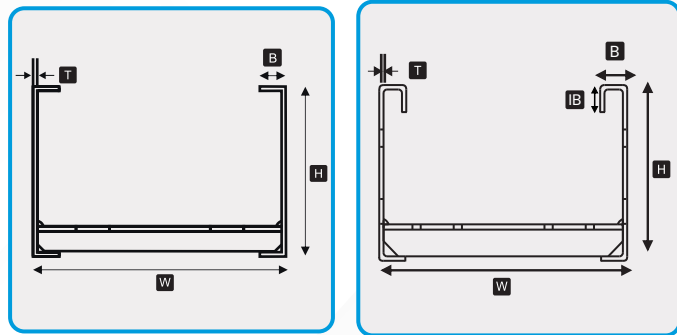


Width	Height	Thickness	Finishing
50	25, 50	1.2, 1.5, 1.6, 2, 2.5, 3	PRE GI (GI) HOT DIP (HDGI) POWDER COATED (PC)
75			
100			
150	25, 50, 75, 100, 125	1.5, 1.6, 2, 2.5, 3	
250			
300			
450	50, 75, 100, 125	1.5, 1.6, 2, 2.5, 3	
500			
600			
750	2, 2.5, 3		
800			

GOOD BEHAVIOUR TO UV ACCORDING TO ROHS

↔ 1 Mtr to 6 Mtr | Available Finishing | Customise Options available

Ladder Cable Tray



T = Thickness **B** = Bend **H** = Height **W** = Width **IB** = Inner Bend

Width	Height	Thickness	Finishing
100	50, 75, 100	1.2, 1.5, 1.6, 2, 2.5, 3	PRE GI (GI) HOT DIP (HDGI) POWDER COATED (PC)
150			
250			
300	50, 75, 100, 125	1.5, 1.6, 2, 2.5, 3	
400			
450			
500			
600	50, 75, 100, 125	1.5, 1.6, 2, 2.5, 3	
750			
800			
1000		2, 2.5, 3	

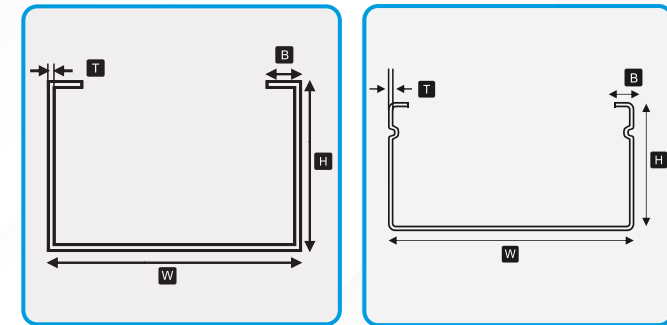


GOOD BEHAVIOUR TO UV ACCORDING TO ROHS



↔ 1 Mtr to 3 Mtr | **PC** **HDG** **GP** Available Finishing | **📄** Customise Options available

Raceway Cable Tray



T = Thickness **B** = Bend **H** = Height **W** = Width

Width	Height	Thickness	Finishing	
50	25, 50	1.2, 1.5, 1.6, 2, 2.5, 3	PRE GI (GI) HOT DIP (HDGI) POWDER COATED (PC)	
75				
100	25, 50, 75, 100, 125			1.5, 1.6, 2, 2.5, 3
150				
250				
300	50, 75, 100, 125			1.5, 1.6, 2, 2.5, 3
450				
500				
600	50, 75, 100, 125			1.5, 1.6, 2, 2.5, 3
750				
800		2, 2.5, 3		

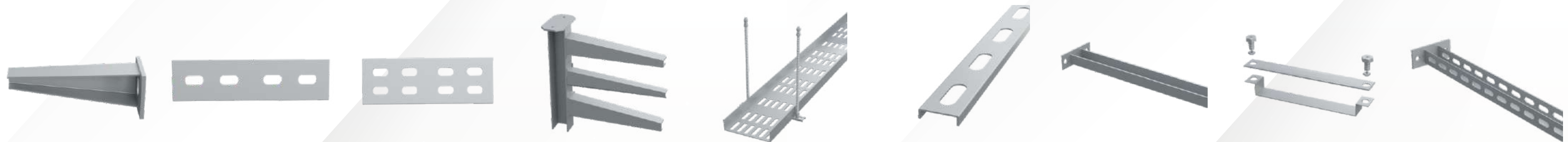
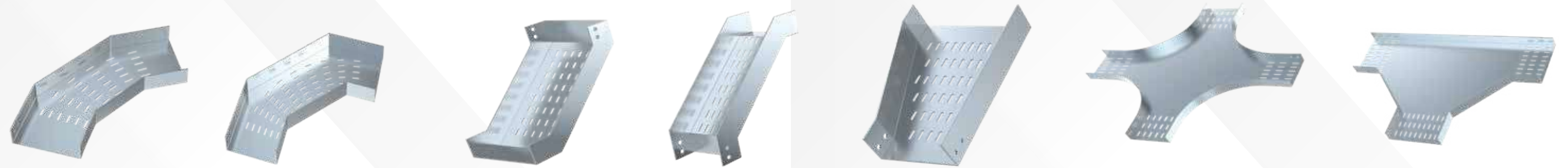


GOOD BEHAVIOUR TO UV ACCORDING TO ROHS



↔ 1 Mtr to 6 Mtr | **PC** **HDG** **GP** Available Finishing | **📄** Customise Options available

Cable Tray Accessories & Supports



Certificates



NOTES
